

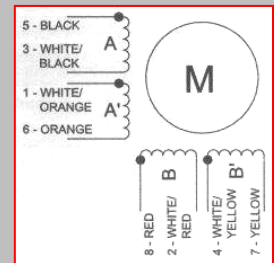
Model ML34HY2S-7 Hybrid Stepper Motor

- IP55 Splashproof
- Very High Torque
- High Accuracy
- Smooth Movement
- Unipolar or Bipolar Modes
- Shaft with Flat

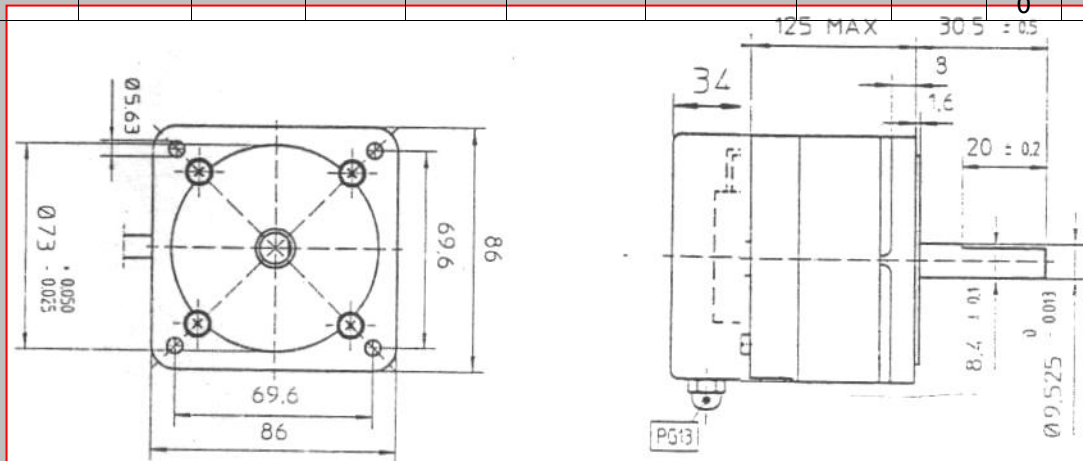


General Specifications

Step Accuracy: Maximum angular deviation is $\pm 5\%$ of one step
 Radial Play: Maximum 0.02mm at 450g
 End Play: Maximum 0.08mm at 450g
 Insulation Resistance: Minimum 100M Ω at 500V dc
 Insulation Class: B
 Temperature Rise: Maximum 80°C



Model	Step Angle	Holding Torque (Bipolar)	No. of Leads	Phase Current	Phase Resistance	Phase Inductance	Rotor Inertia	Detent Torque	Mass	Body Length (L)
	Degree	mNm		A	Ω	mH	g.cm ²	mNm	g	mm
ML34HY2S-7	1.8	7600	Term	6.4	0.5	2.5	1800	230	360	125



Dimensions (mm)