

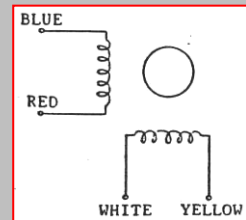
Model E401 Bipolar Pancake Stepper Motor

- Very thin profile motor
- Hybrid stepper performance
- Full step angle 1.8°
- Smooth Movement
- Bipolar Mode

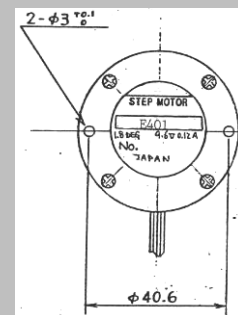
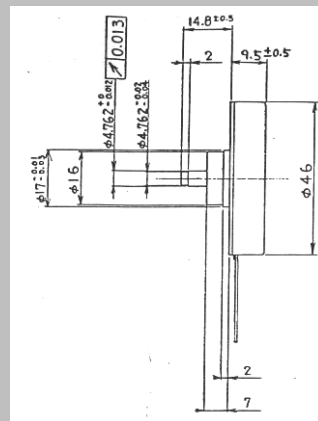
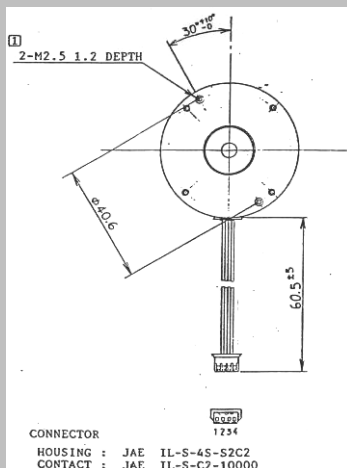


General Specifications

Step Accuracy:	Maximum angular deviation is $\pm 4\%$ of one step
Shaft Material:	SUS 303
Housing Material:	Coated steel
Bearing Type:	Ball bearing
Insulation Resistance:	Minimum 100M Ω at 500V dc
Insulation Class:	E
Temperature Rise:	Maximum 80°C
Operating Temperature:	0°C to +40°C
Humidity Range:	20% to 90% non condensing



Model	Step Angle	Holding Torque (Bipolar)	No. of Leads	Phase Current	Phase Resistance	Phase Inductance	Rotor Inertia	Detent Torque	Mass	Body Length (L)
	Degree	mNm		A	Ω	mH	g.cm ²	mNm	g	mm
E401	1.8	20	4	0.12	80.0	45	5	1.5	75	9.5



Dimensions (mm)