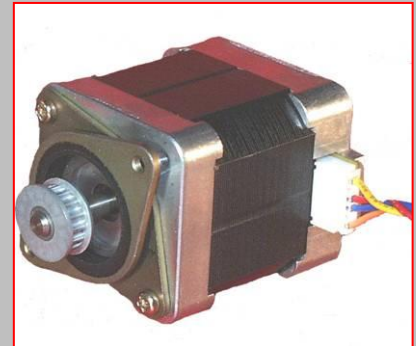


Model MY17RMDAMP Damper

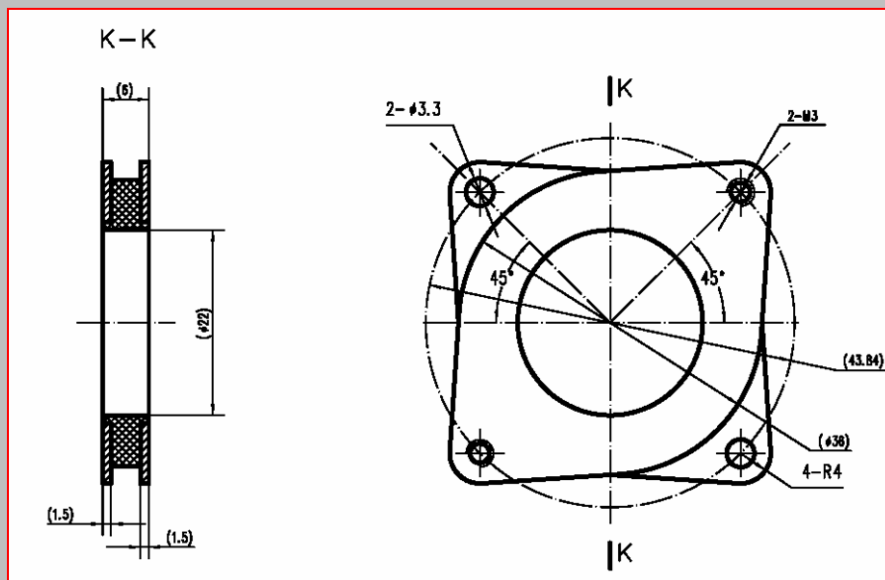
- Lightweight vibration damper
- Suitable for all NEMA Size 16 and 17 Motors
- Easy connection to motor flange
- Thin profile suited to standard length shaft
- Threaded mounting holes
- Large access hole for spigot



General Specifications

Fabrication:	Coated steel mounting plates connected by rubber compound
Dimensions:	As figure below, with mounting holes for size 16/17 motors
Damper Thickness:	6 mm
Mounting Holes:	One pair threaded holes (M3), one pair unthreaded holes (3.3mm)
Central Hole:	Diameter 22mm
Mass:	20 g

Model Number	Minimum Order Quantity
MY17RMDAMP	10 pcs



Dimensions (mm)