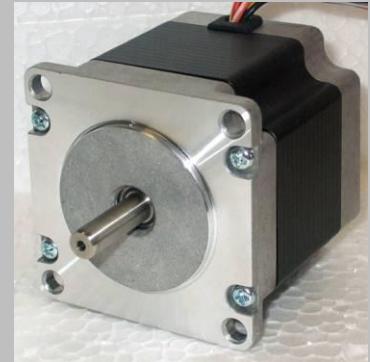


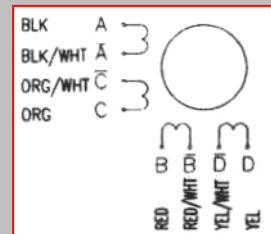
Model MY23HS2-8 Hybrid Stepper Motor

- High Torque
- High Accuracy
- Smooth Movement
- Unipolar or Bipolar Modes

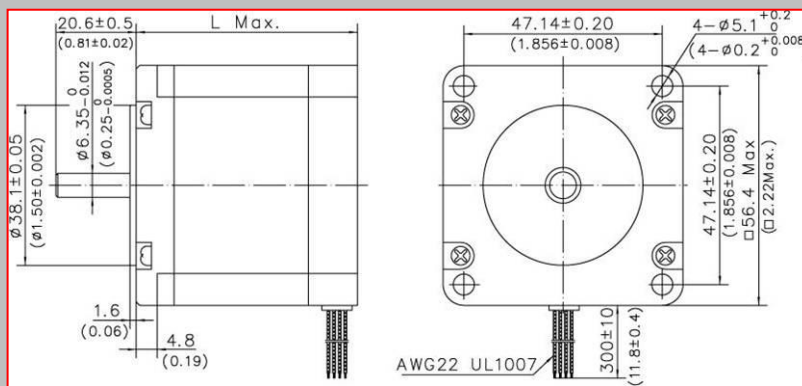


General Specifications

Step Accuracy: Maximum angular deviation is $\pm 5\%$ of one step
 Radial Play: Maximum 0.02mm at 450g
 End Play: Maximum 0.08mm at 450g
 Insulation Resistance: Minimum 100M Ω at 500V dc
 Insulation Class: B
 Temperature Rise: Maximum 80°C



| Model | Step Angle | Holding Torque (Bipolar) | No. of Leads | Phase Current | Phase Resistance | Phase Inductance | Rotor Inertia | Detent Torque | Mass | Body Length (L) |
|-----------|------------|--------------------------|--------------|---------------|------------------|------------------|-------------------|---------------|------|-----------------|
| | Degree | mNm | | A | Ω | mH | g.cm ² | mNm | g | mm |
| MY23HS2-8 | 1.8 | 980 | 8 | 3.0 | 0.75 | 1.2 | 260 | 40 | 600 | 54 |



Dimensions (mm)