

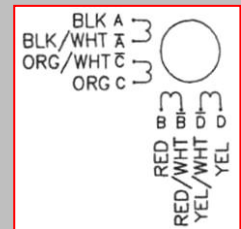
Model MY34HY2-3 Hybrid Stepper Motor

- Low Noise
- Very High Torque
- Unipolar or Bipolar Modes
- Shaft with Flat

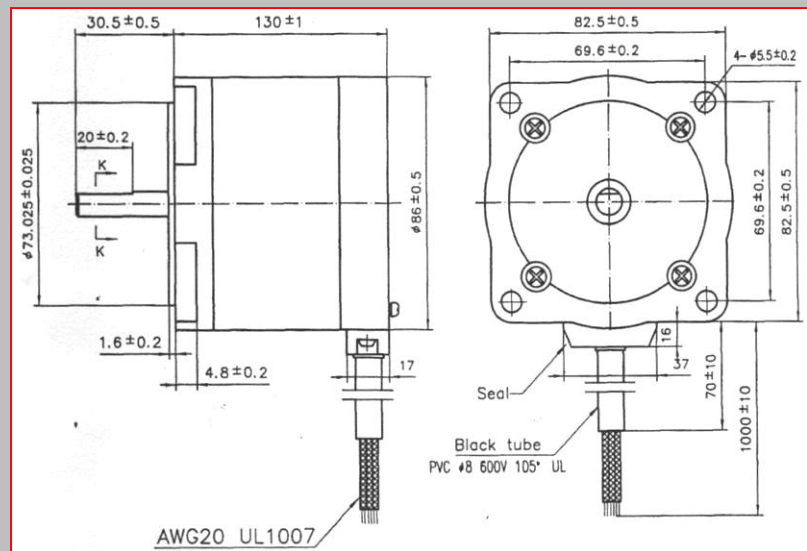
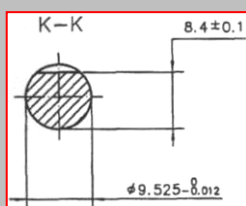


General Specifications

Step Accuracy: Maximum angular deviation is $\pm 5\%$ of one step
 Radial Play: Maximum 0.02mm at 450g
 End Play: Maximum 0.08mm at 450g
 Insulation Resistance: Minimum 100M Ω at 500V dc
 Insulation Class: B
 Temperature Rise: Maximum 80°C



Model	Step Angle	Holding Torque (Bipolar)	No. of Leads	Phase Current	Phase Resistance	Phase Inductance	Rotor Inertia	Detent Torque	Mass	Body Length (L)
	Degree	mNm		A	Ω	mH				
MY34HY2-3	1.8	7600	8	9.0	0.25	2.1	2100	210	3900	130



Dimensions (mm)