

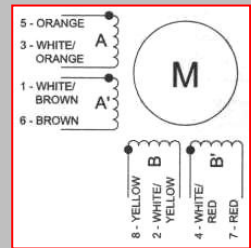
Model ML23HS0-0 Hybrid Stepper Motor

- High Torque
- High Accuracy
- Smooth Movement
- Unipolar or Bipolar Modes

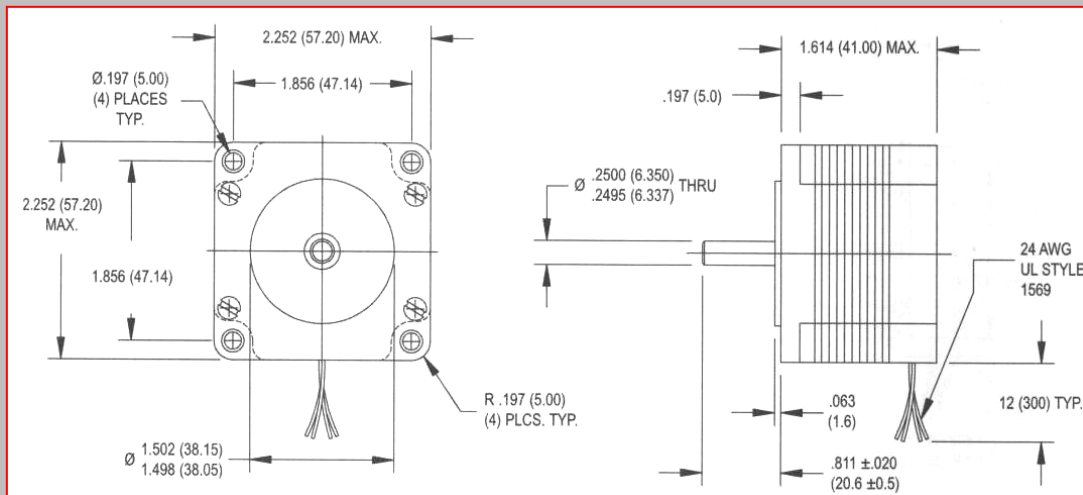


General Specifications

Step Accuracy: Maximum angular deviation is $\pm 5\%$ of one step
 Radial Play: Maximum 0.02mm at 450g
 End Play: Maximum 0.08mm at 450g
 Insulation Resistance: Minimum 100M Ω at 500V dc
 Insulation Class: B
 Temperature Rise: Maximum 80°C



Model	Step Angle	Holding Torque (Bipolar)	No. of Leads	Phase Current	Phase Resistance	Phase Inductance	Rotor Inertia	Detent Torque	Mass	Body Length (L)
	Degree	mNm								
ML23HS0-0	1.8	470	8	1.0	4.6	4.6	77	21	500	41



Dimensions (mm)