

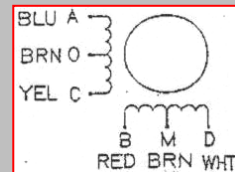
Model MY16HS0-3 Hybrid Stepper Motor

- High Torque
- High Accuracy
- Smooth Movement
- Unipolar or Bipolar Modes
- Shaft with Flat

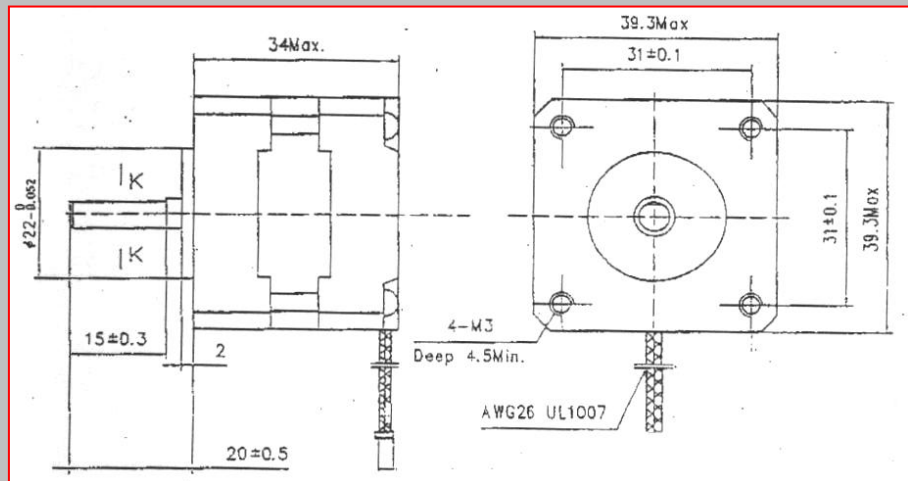
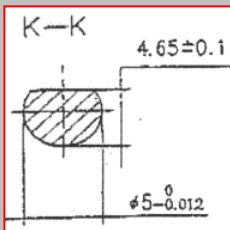


General Specifications

Step Accuracy: Maximum angular deviation is $\pm 5\%$ of one step
 Radial Play: Maximum 0.02mm at 450g
 End Play: Maximum 0.08mm at 450g
 Insulation Resistance: Minimum 100M Ω at 500V dc
 Insulation Class: B
 Temperature Rise: Maximum 80°C



Model	Step Angle	Holding Torque (Unipolar)	No. of Leads	Phase Current	Phase Resistance	Phase Inductance	Rotor Inertia	Detent Torque	Mass	Body Length (L)
	Degree									
MY16HS0-3	1.8	110	6	0.60	9.0	5.2	20	12	180	34



Dimensions (mm)