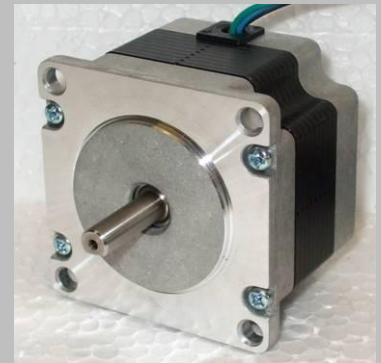


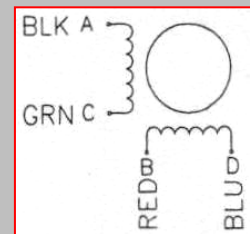
Model MY23HS0-1 Hybrid Stepper Motor

- High Torque
- High Accuracy
- Smooth Movement
- Bipolar Mode
- Shaft with Flat

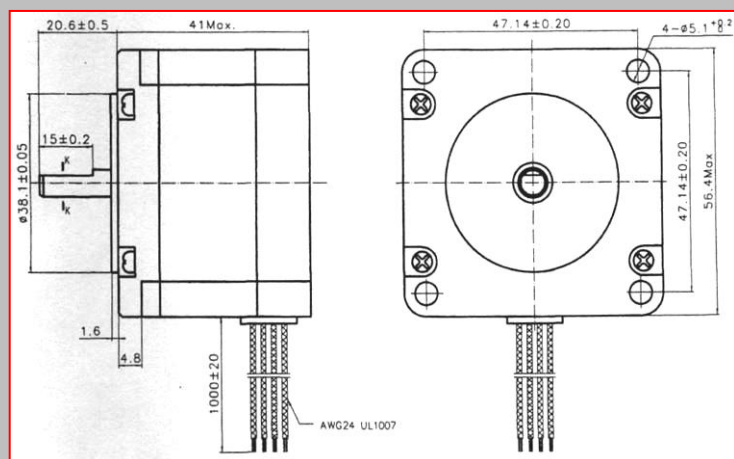
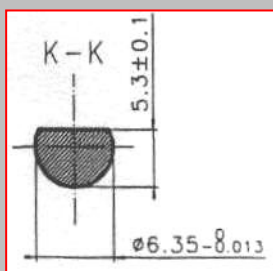


General Specifications

Step Accuracy: Maximum angular deviation is $\pm 5\%$ of one step
 Radial Play: Maximum 0.02mm at 450g
 End Play: Maximum 0.08mm at 450g
 Insulation Resistance: Minimum 100M Ω at 500V dc
 Insulation Class: B
 Temperature Rise: Maximum 80°C



Model	Step Angle	Holding Torque (Bipolar)	No. of Leads	Phase Current	Phase Resistance	Phase Inductance	Rotor Inertia	Detent Torque	Mass	Body Length (L)
	Degree									
MY23HS0-1	1.8	500	4	2.1	1.2	2.1	135	22	420	41



Dimensions (mm)