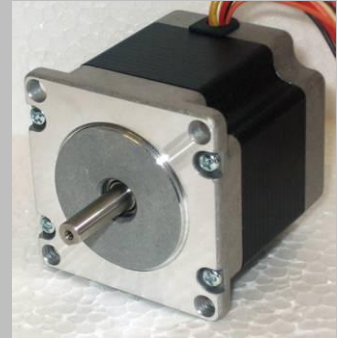


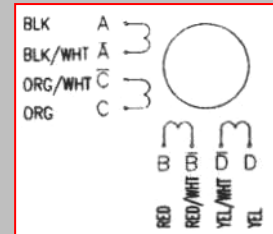
## Model MY23HS2-2 Hybrid Stepper Motor

- High Torque
- High Accuracy
- Smooth Movement
- Unipolar or Bipolar Modes
- Shaft with Flat



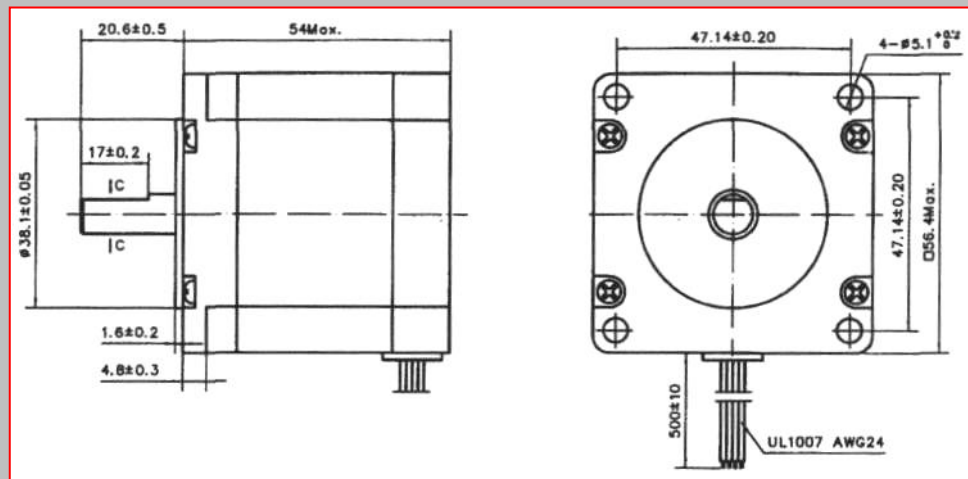
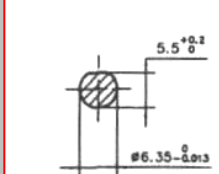
### General Specifications

Step Accuracy: Maximum angular deviation is  $\pm 5\%$  of one step  
 Radial Play: Maximum 0.02mm at 450g  
 End Play: Maximum 0.08mm at 450g  
 Insulation Resistance: Minimum 100M $\Omega$  at 500V dc  
 Insulation Class: B  
 Temperature Rise: Maximum 80°C



Model	Step Angle	Holding Torque (Bipolar)	No. of Leads	Phase Current	Phase Resistance	Phase Inductance	Rotor Inertia	Detent Torque	Mass	Body Length (L)
	Degree									
MY23HS2-2	1.8	1000	8	1.0	6.2	10.0	260	40	600	54

Detail of C-C:



### Dimensions

(mm)