

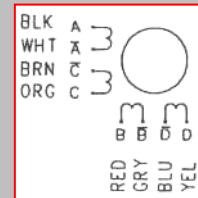
## Model MY23HY1-8 Hybrid Stepper Motor

- High Accuracy
- Low Inertia
- High Acceleration
- Rear Shaft
- Unipolar or Bipolar Modes

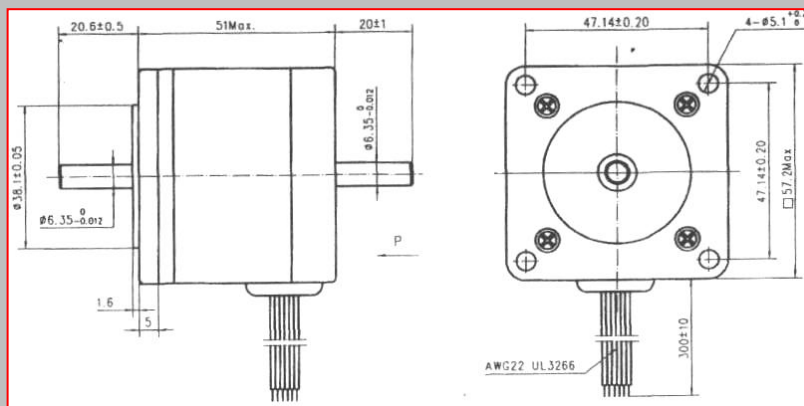


### General Specifications

Step Accuracy:	Maximum angular deviation is $\pm 5\%$ of one step
Radial Play:	Maximum 0.02mm at 450g
End Play:	Maximum 0.08mm at 450g
Insulation Resistance:	Minimum 100M $\Omega$ at 500V dc
Insulation Class:	B
Temperature Rise:	Maximum 80°C



Model	Step Angle	Holding Torque (Bipolar)	No. of Leads	Phase Current	Phase Resistance	Phase Inductance	Rotor Inertia	Detent Torque	Mass	Body Length (L)
	Degree	mNm		A	$\Omega$	mH	g.cm <sup>2</sup>	mNm	g	mm
MY23HY1-8	1.8	750	8	0.85	10.0	23.0	120	35	520	51



**Dimensions (mm)**