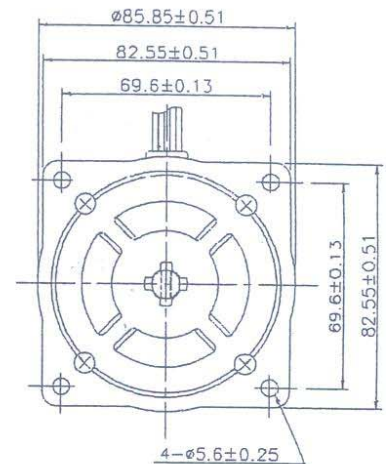
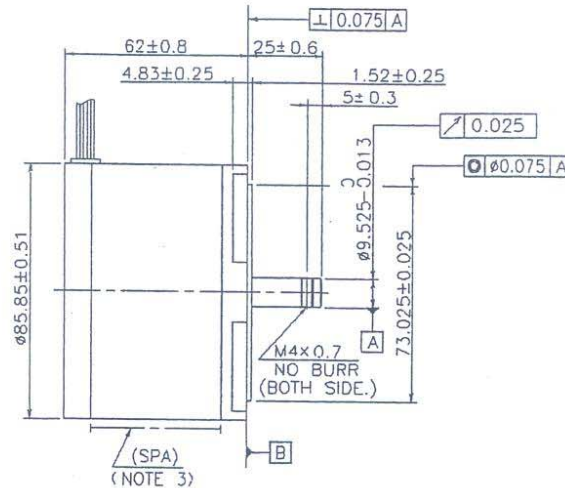
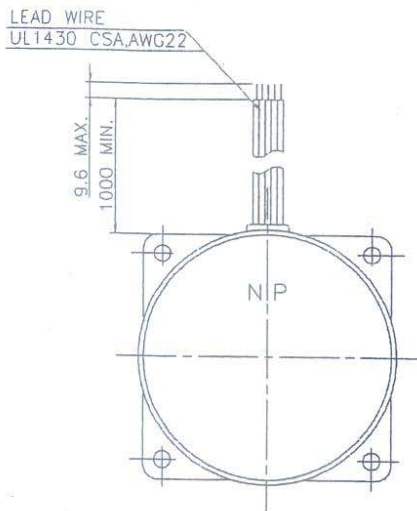


HYBRID STEPPER MOTOR MODEL E3418S2571

Specification

Step Angle	1.8°
Voltage	2.9 V
Rated Current	3.05 A
Resistance	0.95 Ω
Inductance	3.8 mH
Holding Torque Unipolar	110 min Ncm
Rotor Inertia	520 gcm ²
Shaft Diameter	9.525 mm
Shaft Configuration	Single
Number of Leads	6 (1m long leads)
Weight	1.4 Kg



Wiring:

Red
Red/White
Black

Green
Green/White
White