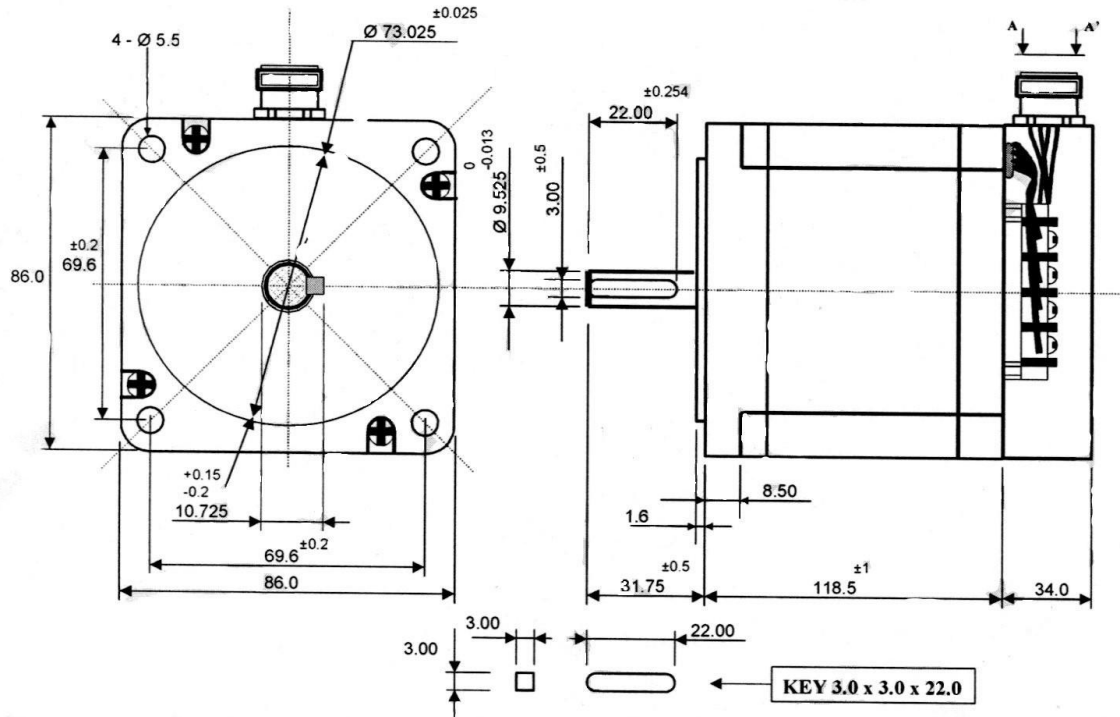


Stepping Motor MT343SP-1

Technical Information



Specification		MT343SP-1
Step Angle		1.8°
Step Angle Accuracy	%	±5
Phase Current	A	9
Phase resistance	Ω	0.2
Phase Inductance	mH	1.7
Holding Torque Bipolar	Ncm	850
Rotor Inertia	g-cm ²	3785
IP		55
Shaft Configuration		Single
Number of lead connections		4
Insulation Class		B
Mass	Kg	t.b.c.