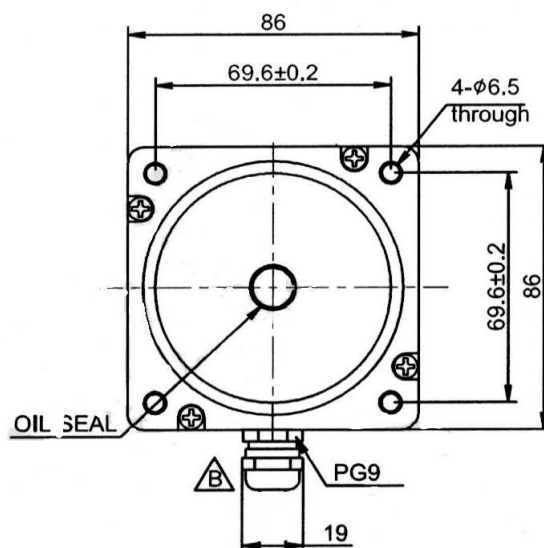
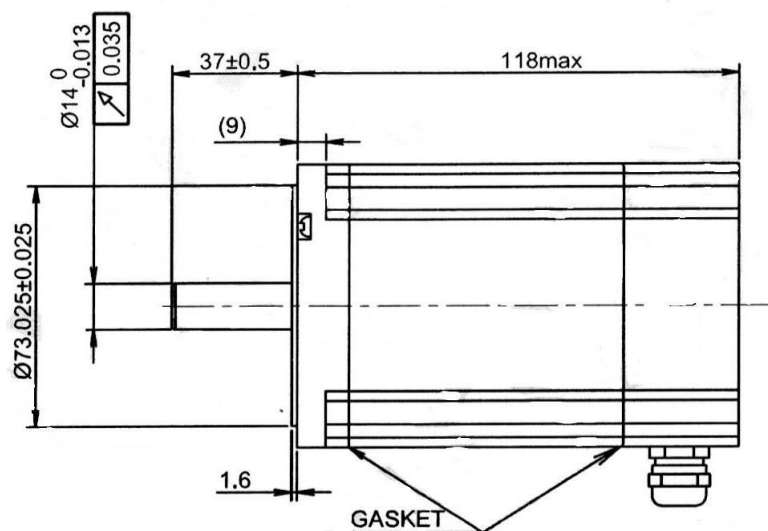


# Stepping Motor MT342SP

## Technical Information



Specification		MT342SP
Step Angle		1.8°
Step Angle Accuracy	%	±5
Phase Current	A	6.4
Phase resistance	Ω	0.4
Phase Inductance	mH	2.4
Holding Torque Bipolar	Nm	6
Rotor Inertia	g-cm <sup>2</sup>	1900
IP		65
Shaft Configuration		Single
Number of lead connections		4
Insulation Class		B
Mass	Kg	2.3